

PROJECT INFORMATION

APPLICANT:
THOMAS THOMPSON

DRAWINGS BY:
ECCO DESIGN INC.
7413 GREENWOOD AVE N
SEATTLE, WA 98103
206-706-3937

SITE ADDRESS:
9206 SE 33RD PLACE
MERCER ISLAND, WA 98040

PARCEL NUMBER:
413930-0310

BODY OF WATER:
LAKE WASHINGTON

LEGAL DESCRIPTION:
LAKEMONT ADD UNREC & SH LDS ADJ
PLAT LOT: 56

PROJECT DESCRIPTION:
REPAIR AND EXISTING PIER BY SLEEVING
TWENTY ONE WOOD PILES, RE-FRAMING, AND
RE-DECKING WITH GRATED DECKING. PERMIT
TWO EXISTING JET-SKI LIFTS.

VICINITY MAP



REFERENCE:

DATUM: C.O.E. Locks Datum

ADJACENT PROPERTY OWNERS:

1. PNBK Family Trust
2. Victor and Eunice Michalak

APPLICANT: Thomas Thompson

LOCATION: 9206 SE 33rd Place
Mercer Island WA 98040

LAT/LONG: 47.58252°/-122.21389°

PROPOSED PROJECT:

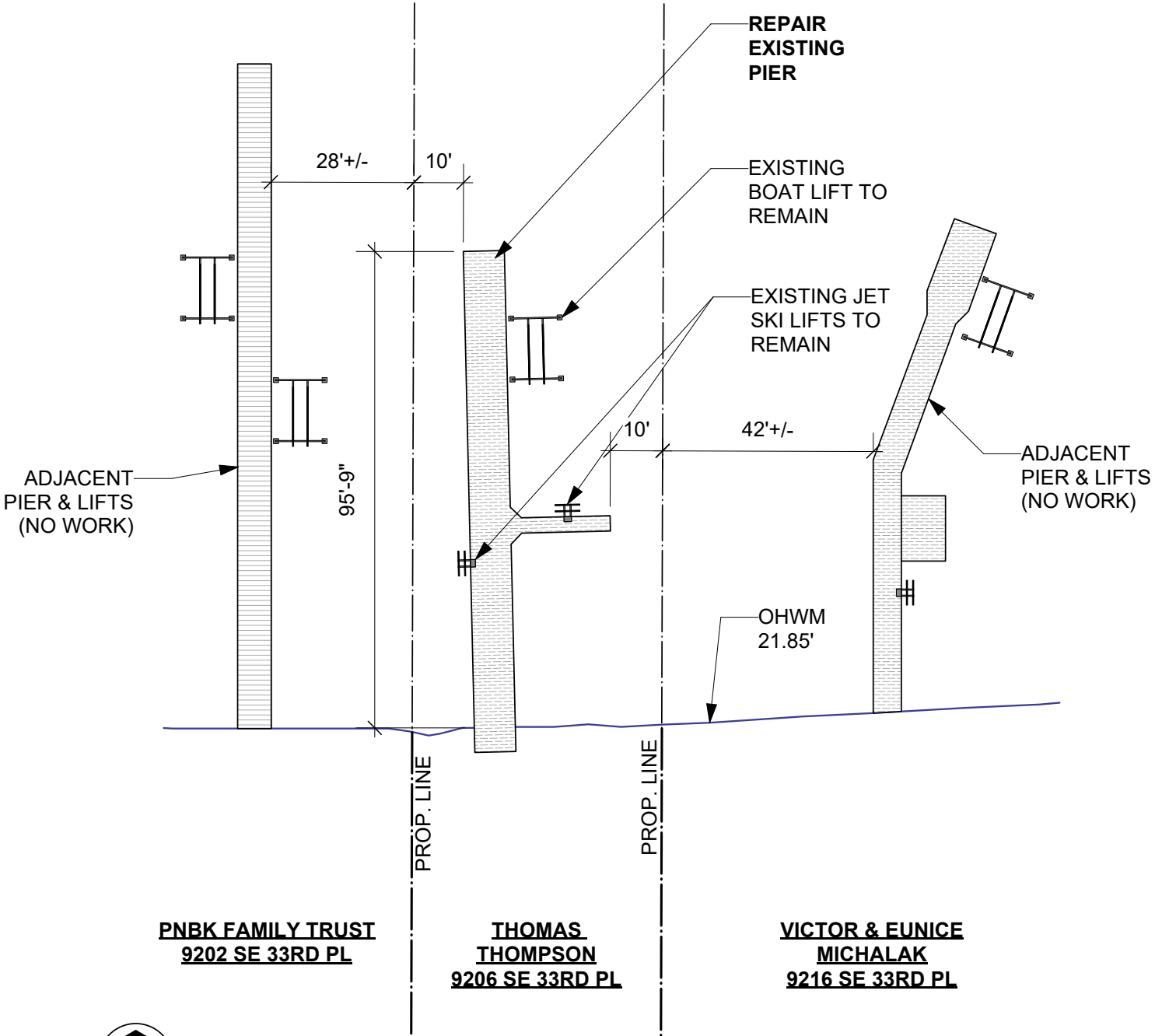
Repair Pier
IN: Lake Washington
NEAR/AT: Mercer Island
COUNTY: King **STATE:** WA

SHEET 1 of 6

DATE: May 23, 2025

PLEASE NOTE THAT THE SHORELINE CONFIGURATION AND PROPERTY LINE LOCATIONS ARE APPROXIMATE ONLY. PROPERTY LINES WERE NOT SURVEYED.

LAKE WASHINGTON



PNBK FAMILY TRUST
9202 SE 33RD PL

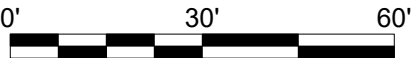
THOMAS THOMPSON
9206 SE 33RD PL

VICTOR & EUNICE MICHALAK
9216 SE 33RD PL



SITE PLAN

SCALE 1" = 30'-0"

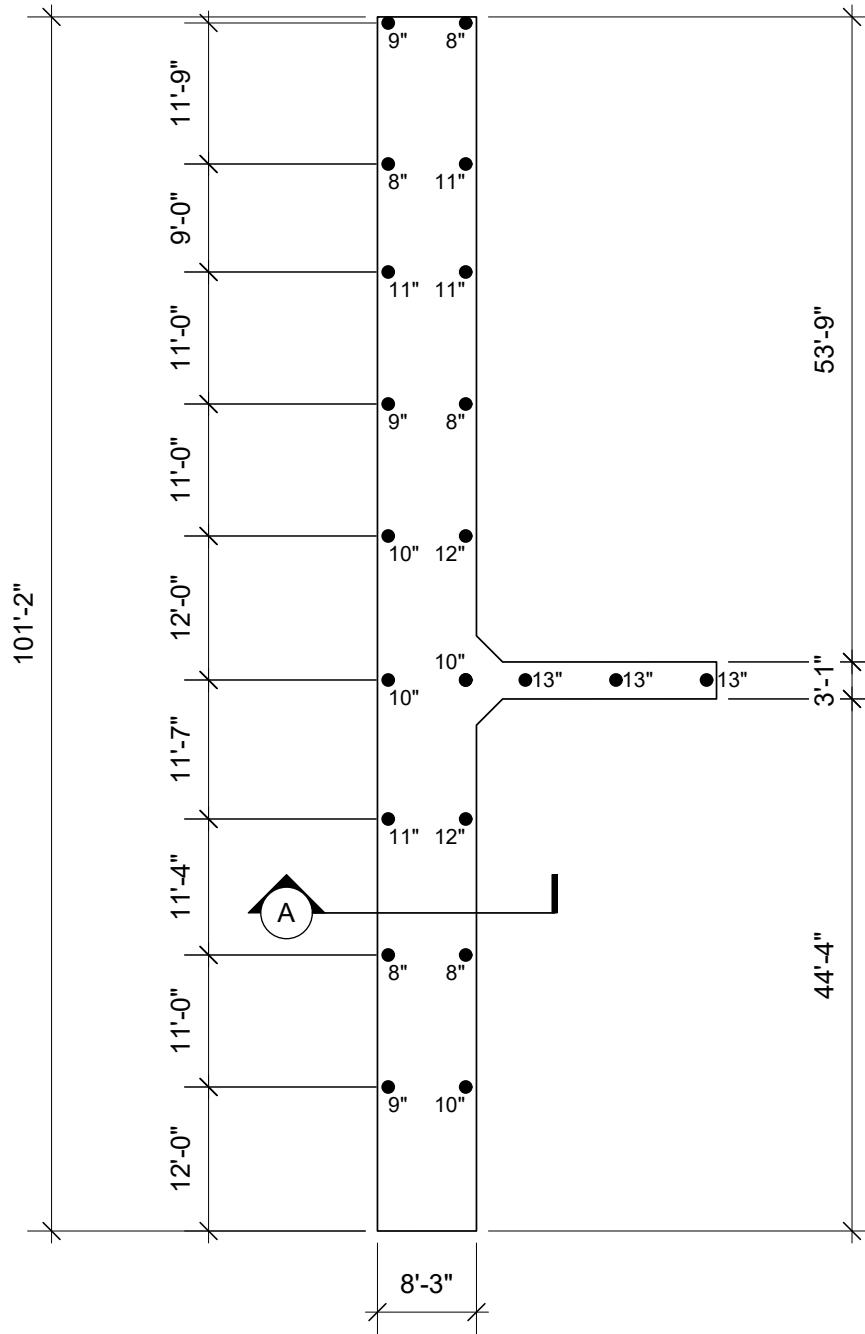


Reference:
Applicant: Thomas Thompson

Proposed: Repair Pier
Location: Mercer Island, WA

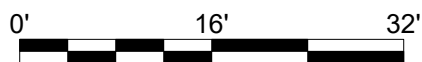
LEGEND

- WOOD PILE TO BE SLEEVED
(21 TOTAL)



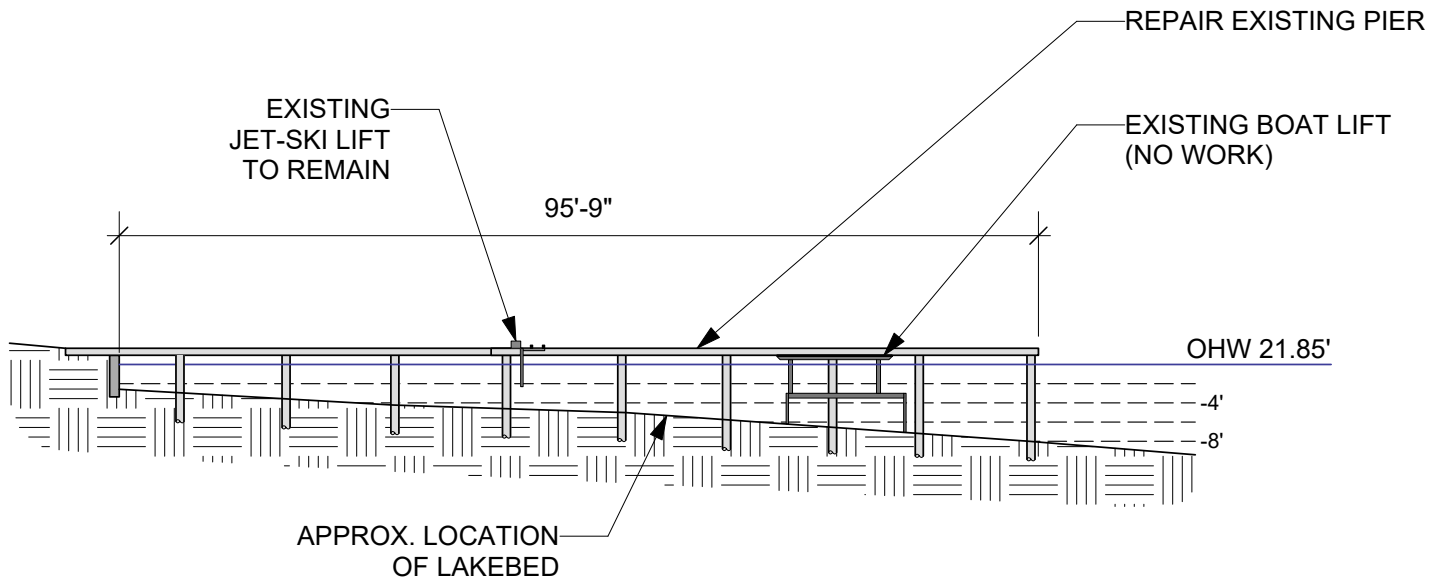
PILE REPAIR PLAN

SCALE 1/16" = 1'-0"



Reference:
Applicant: Thomas Thompson

Proposed: Repair Pier
Location: Mercer Island, WA



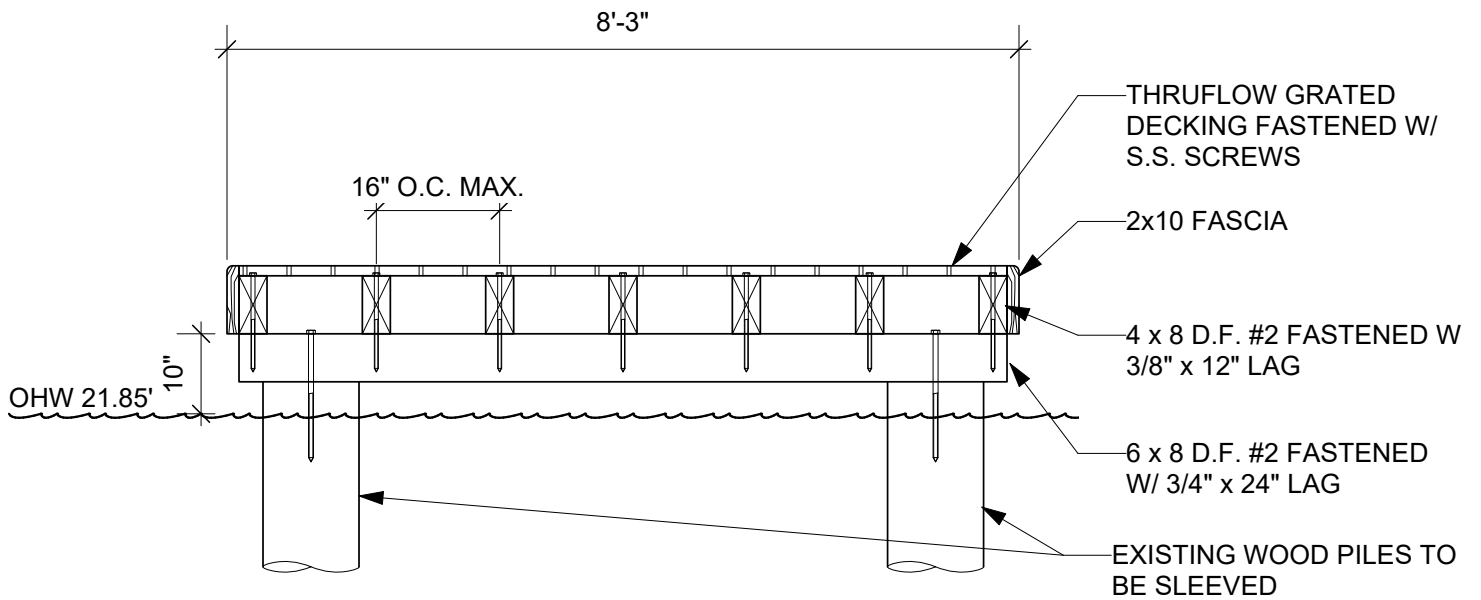
ELEVATION

SCALE 1" = 20'-0"



Reference:
Applicant: Thomas Thompson

Proposed: Repair Pier
Location: Mercer Island, WA



PIER SECTION - A (PROPOSED)

SCALE 1/2" = 1'-0"



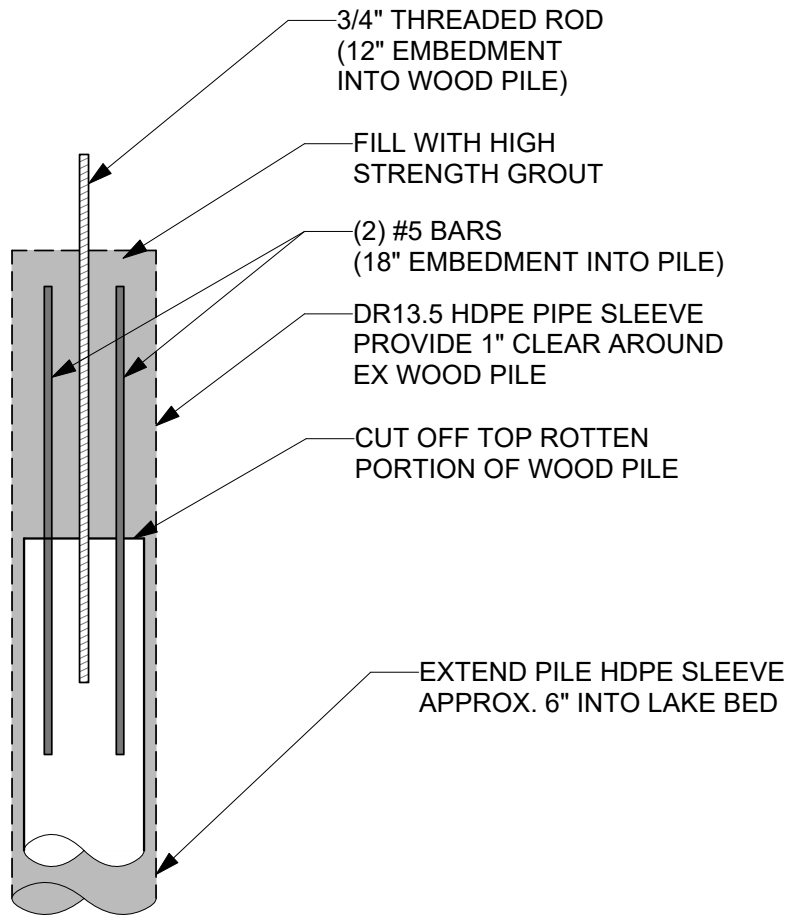
Reference:

Applicant: Thomas Thompson

Proposed: Repair Pier

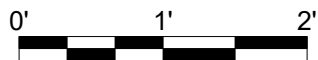
Location: Mercer Island, WA

Sheet 5 of 6 Date: 5/23/2025



PILE SLEEVE DETAIL

SCALE 3/4" = 1'-0"



Reference:
Applicant: Thomas Thompson

Proposed: Repair Pier
Location: Mercer Island, WA

Sheet 6 of 6 **Date:** 5/23/2025